

# FUSES & FUSEHOLDERS

## 6.3x32mm (1/4"x1 1/4") Glass and Ceramic Fuses

### 6.3x32mm Quick Blow Glass Fuses

| TYPE NO.      | RATING | TYPE NO.      | RATING |
|---------------|--------|---------------|--------|
| CF06332F/100  | 100mA  | CF06332F/2.5  | 2.5A   |
| CF06332F/125  | 125mA  | CF06332F/3    | 3A     |
| CF06332F/160  | 160mA  | CF06332F/3.15 | 3.15A  |
| CF06332F/200  | 200mA  | CF06332F/4    | 4A     |
| CF06332F/250  | 250mA  | CF06332F/5    | 5A     |
| CF06332F/500  | 500mA  | CF06332F/6.3  | 6.3A   |
| CF06332F/750  | 750mA  | CF06332F/7    | 7A     |
| CF06332F/1    | 1A     | CF06332F/7.5  | 7.5A   |
| CF06332F/1.25 | 1.25A  | CF06332F/8    | 8A     |
| CF06332F/1.5  | 1.5A   | CF06332F/10   | 10A    |
| CF06332F/2    | 2A     | CF06332F/15   | 15A    |

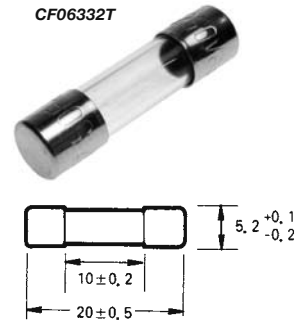
- Quick blow (F)
- Glass cartridge, nickel plated end caps
- Break capacity, 35A/250V (to 1A), 100A/250V (to 3.5A), 200A/250V (above 3.5A)
- To IEC 127



### 6.3x32mm Time Delay Glass Fuses

| TYPE NO.      | RATING | TYPE NO.      | RATING |
|---------------|--------|---------------|--------|
| CF06332T/100  | 100mA  | CF06332T/2.5  | 2.5A   |
| CF06332T/125  | 125mA  | CF06332T/3    | 3A     |
| CF06332T/160  | 160mA  | CF06332T/3.15 | 3.15A  |
| CF06332T/200  | 200mA  | CF06332T/4    | 4A     |
| CF06332T/250  | 250mA  | CF06332T/5    | 5A     |
| CF06332T/500  | 500mA  | CF06332T/6.3  | 6.3A   |
| CF06332T/750  | 750mA  | CF06332T/7    | 7A     |
| CF06332T/1    | 1A     | CF06332T/7.5  | 7.5A   |
| CF06332T/1.25 | 1.25A  | CF06332T/8    | 8A     |
| CF06332T/1.5  | 1.5A   | CF06332T/10   | 10A    |
| CF06332T/2    | 2A     | CF06332T/15   | 15A    |

- Time delay (T)
- Glass cartridge, nickel plated end caps
- Break capacity, 35A/250V (to 1A), 100A/250V (to 3.5A), 200A/250V (above 3.5A)
- To IEC 127



### 6.3x32mm Quick Blow Ceramic Fuses

| TYPE NO.       | RATING | TYPE NO.       | RATING |
|----------------|--------|----------------|--------|
| CF06333CF/100  | 100mA  | CF06333CF/3.15 | 3.15A  |
| CF06333CF/250  | 200mA  | CF06333CF/4    | 4A     |
| CF06333CF/500  | 500mA  | CF06333CF/5    | 5A     |
| CF06333CF/750  | 750mA  | CF06333CF/6.3  | 6.3A   |
| CF06333CF/1    | 1A     | CF06333CF/7.5  | 7.5A   |
| CF06333CF/1.25 | 1.25A  | CF06333CF/8    | 8A     |
| CF06333CF/1.5  | 1.5A   | CF06333CF/10   | 10A    |
| CF06333CF/2    | 2A     | CF06333CF/15   | 15A    |
| CF06333CF/2.5  | 2.5A   | CF06333CF/20   | 20A    |
|                |        | CF06333CF/25   | 25A    |

- Quick blow (F)
- Ceramic cartridge, nickel plated end caps
- Break capacity 1000A
- To IEC 127
- Sand filled
- cULus (500mA-15A)



### 6.3x32mm Time Delay Ceramic Fuses

| TYPE NO.       | RATING | TYPE NO.       | RATING |
|----------------|--------|----------------|--------|
| CF06333CT/100  | 100mA  | CF06333CT/2.5  | 2.5A   |
| CF06333CT/125  | 125mA  | CF06333CT/3.15 | 3.15A  |
| CF06333CT/160  | 160mA  | CF06333CT/4    | 4A     |
| CF06333CT/200  | 200mA  | CF06333CT/5    | 5A     |
| CF06333CT/250  | 250mA  | CF06333CT/6.3  | 6.3A   |
| CF06333CT/315  | 315mA  | CF06333CT/7    | 7A     |
| CF06333CT/400  | 400mA  | CF06333CT/7.5  | 7.5A   |
| CF06333CT/500  | 500mA  | CF06333CT/8    | 8A     |
| CF06333CT/750  | 750mA  | CF06333CT/10   | 10A    |
| CF06333CT/1    | 1A     | CF06333CT/12   | 12A    |
| CF06333CT/1.25 | 1.25A  | CF06333CT/12.5 | 12.5A  |
| CF06333CT/1.5  | 1.5A   | CF06333CT/15   | 15A    |
| CF06333CT/2    | 2A     | CF06333CT/20   | 20A    |
|                |        | CF06333CT/25   | 25A    |

- Time delay (T)
- Ceramic cartridge, nickel plated end caps
- Break capacity 1000A
- To IEC 127
- Sand filled
- cULus (500mA-15A)

